

P.O. Box 14460
St. Louis, MO 63178-4460
114 Old State Road
Ellisville, MO 63021
Phone: (636) 527-3877



Date: February 5, 2009
To: S505 Customers
Subject: S505 Product Change Notification

To continuously improve our products and processes, Cooper Bussmann has made some modifications to select ratings within the S505 fuse line.

Over the next couple of months there will be a transition to the new design. There will be no changes to voltage ratings, interrupting ratings or max/min opening times. Changes in time-current characteristics are minimal. A new datasheet reflecting these changes is now available online at www.cooperbussmann.com/datasheets/elx.

New material declaration and engineering documents are available upon request.

Fuse dimensions remain the same for all part numbers without axial leads. For fuses with axial leads (part numbers containing "-V"), some ratings will be fitted with larger diameter leads. Lead diameter for S505-V-4-R (all prefixes), and S505-V-5-R (all prefixes) has increased from 0.65mm to 0.81mm.

Thank you for your business and your cooperation with this transition.

Michael Guo
Product Manager, Electronic Circuit Protection

For Latest Data On The S505 Series, See Data Sheet 2037



5mm x 20mm Fuses S505 Series, Time Delay, Ceramic Tube

Description

- Time delay, high breaking capacity
- Optional axial leads available
- 5mm x 20mm physical size
- Ceramic tube, nickel plated brass endcap construction
- Designed to IEC 60127-2 (1A-12A)



| ELECTRICAL CHARACTERISTICS | | | | | | | | | | |
|----------------------------|--------|--------|--------|--------|---------|-------|-------|--------|-------|-----|
| In | 1.5 In | | 2.1 In | | 2.75 In | | 4 In | | 10 In | |
| | min | max | min | max | min | max | min | max | min | max |
| <1A | 60 min | 30 min | 250 ms | 80 sec | 50 ms | 5 sec | 5 ms | 55 ms | | |
| 1A-3.15A | 60 min | 30 min | 1 sec | 80 sec | 95 ms | 5 sec | 10 ms | 100 ms | | |
| 4A-10A | 60 min | 30 min | 1 sec | 80 sec | 150 ms | 5 sec | 20 ms | 100 ms | | |
| 12.5A | -- | 30 min | 1 sec | 80 sec | 150 ms | 5 sec | 20 ms | 100 ms | | |

Agency Information

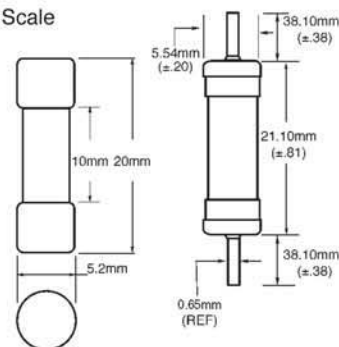
- UL Recognized Card: (500mA-12A) Guide JDYX2, File E19180
- CSA Component Acceptance: File 53787, 500mA-10A
- SEMKO Approval, 500mA-10A
- VDE Approval, 500mA-10A
- BSI Approval, 500mA-10A
- IMQ Approval, 500mA-10A
- CCC Approval, 500mA-6.3A

Ordering

- Specify packaging, product, and option code
- For -R option, drop mA or A from product code (i.e. S505-3-R)

Dimensions

Drawing Not to Scale



- Ratings above 6.3A have a 0.8mm diameter lead
- With TR2 packaging code, lead wire length is 19.05mm

SPECIFICATIONS

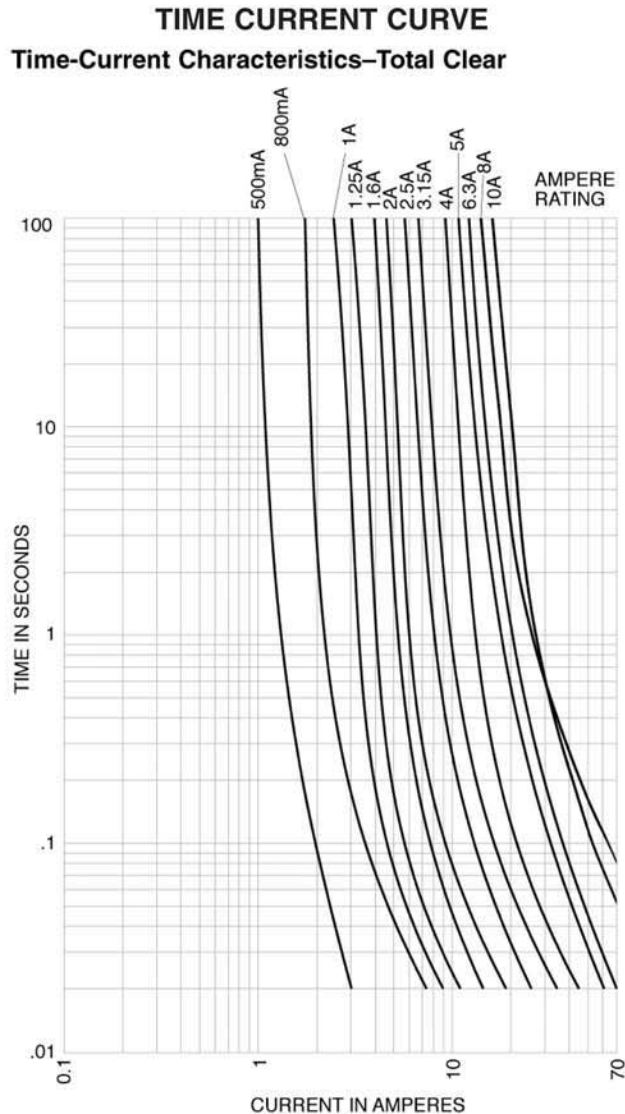
| Product Code | Voltage Rating AC | Interrupting Rating at Rated Voltage (50Hz) AC | Typical DC Cold Resistance (ohms)* | Typical Melting I ² t (A ² Sec) AC† | Typical Voltage Drop (mV)‡ |
|--------------|-------------------|--|------------------------------------|---|----------------------------|
| S505-500mA | 250V | 1500A | 0.507 | - | 295 |
| S505-800mA | 250V | 1500A | 0.237 | - | 189 |
| S505-1A | 250V | 1500A | 0.138 | 0.74 | 170 |
| S505-1.25A | 250V | 1500A | 0.089 | 1.6 | 150 |
| S505-1.6A | 250V | 1500A | 0.060 | 3.5 | 130 |
| S505-2A | 250V | 1500A | 0.041 | 7.6 | 110 |
| S505-2.5A | 250V | 1500A | 0.030 | 14 | 100 |
| S505-3.15A | 250V | 1500A | 0.021 | 27 | 90 |
| S505-4A | 250V | 1500A | 0.015 | 52 | 85 |
| S505-5A | 250V | 1500A | 0.011 | 98 | 80 |
| S505-6.3A | 250V | 1500A | 0.008 | 197 | 75 |
| S505-8A | 250V | 1500A | 0.007 | 311 | 75 |
| S505-10A | 250V | 1500A | 0.006 | 397 | 72 |
| S505-12A | 250V | 1000A | 0.005 | 714 ^x | 77 |

* DC Cold Resistance (Measured at <10% of rated current)

† Typical Melting I²t (I²t was measured at listed interrupting rating and rated voltage)

‡ Typical Voltage Drop (Voltage drop was measured at 20°C ambient temperature at rated current)

x Typical Melting I²t was measured at 10 times the rated current under DC



PACKAGING CODE

| Packaging Code | Description |
|----------------|---|
| BK | 100 pieces of fuses packed into a cardboard carton |
| BK1 | 1,000 pieces of fuses packed into a poly bag |
| TR2 | 1,500 pieces of fuses packed into tape on a reel (19.05mm lead wire length) |

OPTION CODE

| Option Code | Description |
|-------------|--|
| V | Axial leads - copper tinned wire with nickel plated brass overcaps |
| -R | RoHS compliant version |

North America

| | |
|---|---|
| Cooper Electronic Technologies 1225 Broken Sound Parkway NW Suite F Boca Raton, FL 33487-3533 Tel: 1-561-998-4100 Fax: 1-561-241-6640 Toll Free: 1-888-414-2645 | Cooper Bussmann P.O. Box 14460 St. Louis, MO 63178-4460 Tel: 1-636-394-2877 Fax: 1-800-544-2570 |
|---|---|

Europe

| | |
|--|--|
| Cooper Electronic Technologies Cooper (UK) Limited Burton-on-the-Wolds Leicestershire • LE12 5TH UK Tel: +44 (0) 1509 882 737 Fax: +44 (0) 1509 882 786 | Cooper Electronic Technologies Avda. Santa Eulalia, 290 08223 Terrassa, (Barcelona), Spain Tel: +34 937 362 812 +34 937 362 813 Fax: +34 937 362 719 |
|--|--|

Asia Pacific

| |
|--|
| Cooper Electronic Technologies 1 Jalan Kilang Timor #06-01 Pacific Tech Centre Singapore 159303 Tel: +65 278 6151 Fax: +65 270 4160 |
|--|